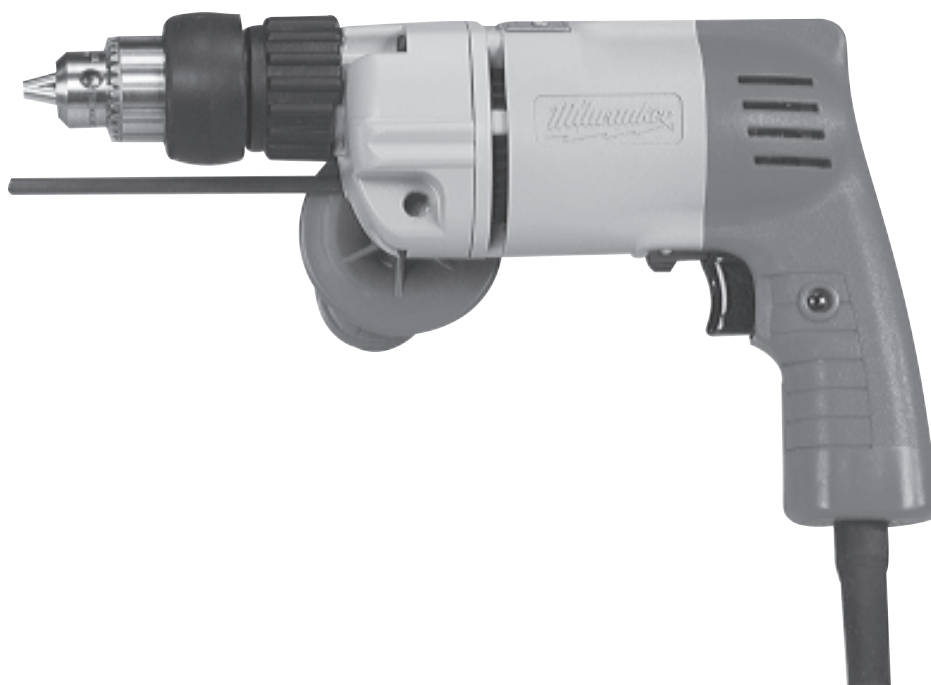




**OPERATOR'S MANUAL
MANUEL de L'UTILISATEUR
MANUAL del OPERADOR**

5392-1



TO REDUCE THE RISK OF INJURY, USER MUST READ AND UNDERSTAND OPERATOR'S MANUAL.

AFIN DE RÉDUIRE LE RISQUE DE BLESSURES, L'UTILISATEUR DOIT LIRE ET BIEN COMPRENDRE LE MANUEL DE L'UTILISATEUR.

PARA REDUCIR EL RIESGO DE LESIONES, EL USUARIO DEBE LEER Y ENTENDER EL MANUAL DEL OPERADOR.

GENERAL SAFETY RULES — FOR ALL POWER TOOLS



WARNING!

READ ALL INSTRUCTIONS

Failure to follow all instructions listed below may result in electric shock, fire and/or serious injury. The term "power tool" in all of the warnings listed below refers to your mains-operated (corded) power tool or battery-operated (cordless) power tool.

SAVE THESE INSTRUCTIONS

WORK AREA SAFETY

1. **Keep work area clean and well lit.** Cluttered or dark areas invite accidents.
2. **Do not operate power tools in explosive atmospheres, such as in the presence of flammable liquids, gases, or dust.** Power tools create sparks which may ignite the dust or fumes.
3. **Keep children and bystanders away while operating a power tool.** Distractions can cause you to lose control.

ELECTRICAL SAFETY

4. **Power tool plugs must match the outlet. Never modify the plug in any way. Do not use any adapter plugs with earthed (grounded) power tools.** Unmodified plugs and matching outlets will reduce risk of electric shock.
5. **Avoid body contact with earthed or grounded surfaces such as pipes, radiators, ranges and refrigerators.** There is an increased risk of electric shock if your body is earthed or grounded.
6. **Do not expose power tools to rain or wet conditions.** Water entering a power tool will increase the risk of electric shock.
7. **Do not abuse the cord. Never use the cord for carrying, pulling, or unplugging the power tool. Keep cord away from heat, oil, sharp edges, or moving parts.** Damaged or entangled cords increase the risk of electric shock.
8. **When operating a power tool outdoors, use an extension cord suitable for outdoor use.** Use of a cord suitable for outdoor use reduces the risk of electric shock.

PERSONAL SAFETY

9. **Stay alert, watch what you are doing and use common sense when operating a power tool. Do not use a power tool while you are tired or under the influence of drugs, alcohol or medication.** A moment of inattention while operating power tools may result in serious personal injury.
10. **Use safety equipment. Always wear eye protection.** Safety equipment such as dust mask, non-skid safety shoes, hard hat, or hearing protection used for appropriate conditions will reduce personal injuries.
11. **Avoid accidental starting. Ensure the switch is in the off-position before plugging in.** Carrying tools with your finger on the switch or plugging in power tools that have the switch on invites accidents.
12. **Remove any adjusting key or wrench before turning the power tool on.** A wrench or a key left attached to a rotating part of the power tool may result in personal injury.
13. **Do not overreach. Keep proper footing and balance at all times.** This enables better control of the power tool in unexpected situations.
14. **Dress properly. Do not wear loose clothing or jewellery. Keep your hair, clothing and gloves away from moving parts.** Loose clothes, jewellery, or long hair can be caught in moving parts.
15. **If devices are provided for the connection of dust extraction and collection facilities, ensure these are connected and properly used.** Use of these devices can reduce dust-related hazards.

POWER TOOL USE AND CARE

16. **Do not force the power tool. Use the correct power tool for your application.** The correct power tool will do the job better and safer at the rate for which it was designed.
17. **Do not use the power tool if the switch does not turn it on and off.** Any power tool that cannot be controlled with the switch is dangerous and must be repaired.
18. **Disconnect the plug from the power source and/or the battery pack from the power tool before making any adjustments, changing accessories, or storing power tools.** Such preventive safety measures reduce the risk of starting the tool accidentally.
19. **Store idle power tools out of the reach of children and do not allow persons unfamiliar with the power tools or these instructions to operate power tools.** Power tools are dangerous in the hands of untrained users.
20. **Maintain power tools. Check for misalignment or binding of moving parts, breakage of parts and any other condition that may affect the power tool's operation. If damaged, have the power tool repaired before use.** Many accidents are caused by poorly maintained power tools.
21. **Keep cutting tools sharp and clean.** Properly maintained cutting tools with sharp cutting edges are less likely to bind and are easier to control.
22. **Use the power tool, accessories and tool bits etc., in accordance with these instructions and in the manner intended for the particular type of power tool, taking into account the working conditions and the work to be performed.** Use of the power tool for operations different from those intended could result in a hazardous situation.

SERVICE

23. **Have your power tool serviced by a qualified repair person using only identical replacement parts.** This will ensure that the safety of the power tool is maintained.

SPECIFIC SAFETY RULES — HAMMERS






1. **Use auxiliary handles supplied with the tool.** Loss of control can cause personal injury.
2. **Wear ear protectors with impact drills.** Exposure to noise can cause hearing loss.
3. **Hold power tools by insulated gripping surfaces when performing an operation where the cutting tool may contact hidden wiring or its own cord.** Contact with a "live" wire will make exposed metal parts of the tool "live" and shock the operator.
4. **Keep hands away from all cutting edges and moving parts.**
5. **Maintain labels and nameplates.** These carry important information. If unreadable or missing, contact a _____ service facility for a free replacement.
6. **WARNING!** Some dust created by power sanding, sawing, grinding, drilling, and other construction activities contains chemicals known to cause cancer, birth defects or other reproductive harm. Some examples of these chemicals are:
 - lead from lead-based paint
 - crystalline silica from bricks and cement and other masonry products, and
 - arsenic and chromium from chemically-treated lumber.

Your risk from these exposures varies, depending on how often you do this type of work. To reduce your exposure to these chemicals: work in a well ventilated area, and work with approved safety equipment, such as those dust masks that are specially designed to filter out microscopic particles.

Specifications

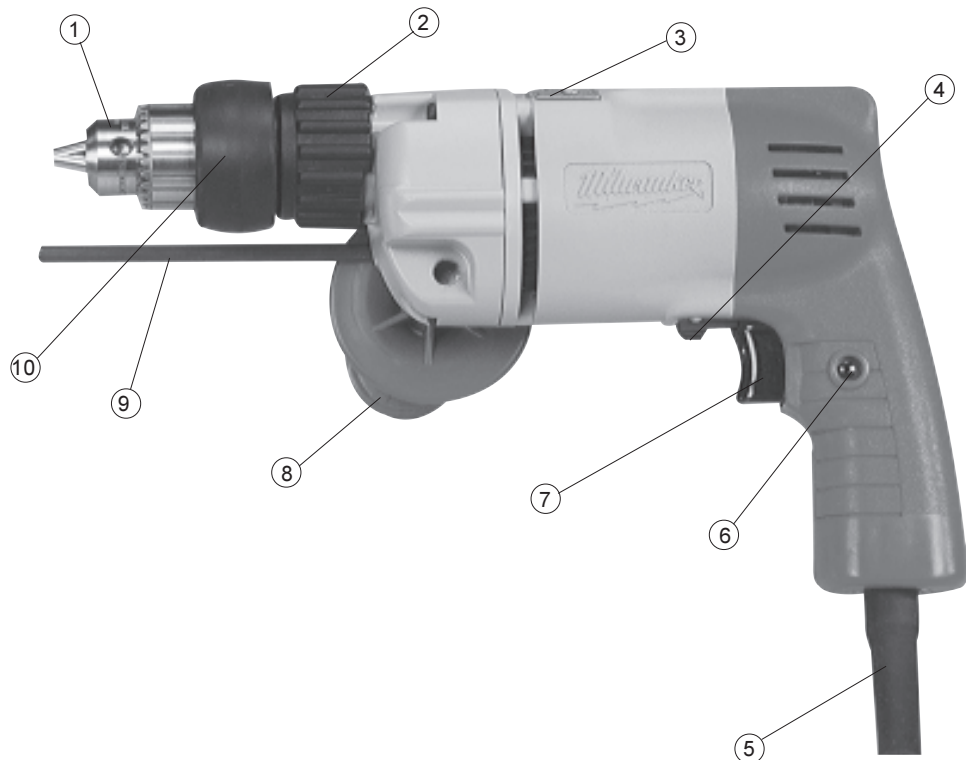
Cat. No.	Volts AC	Watts	No Load RPM	Blows per Minute	Capacities			
					In Steel	In Wood	In Concrete or Masonry	Screw Fasteners
5392-1	120	550	0 - 2500	0 - 50,000	3/8"	3/4"	9/16"	3/16"

Symbology

	Volts Alternating Current
$n_{o} \underline{\text{xxxx}} / \text{min.}$	No Load Revolutions per Minute (RPM)
	Amperes
	Underwriters Laboratories, Inc.
	Canadian Standards Association
	Mexican Approvals Marking

FUNCTIONAL DESCRIPTION

1. Chuck
2. Hammer-drill selector collar
3. Nameplate
4. Forward/reverse switch
5. Cord
6. Trigger lock
7. Trigger
8. Side handle
9. Depth gauge
10. Dust shield



GROUNDING

Grounded Tools: Tools with Three Prong Plugs

Tools marked "Grounding Required" have a three wire cord and three prong grounding plug. The plug must be connected to a ,xL conn□8nd fod •1980 Figme 180úePoneP•1YE"C4uel, 2•CxPa1q2Aut6056 23LIC:Pe1oC:Pprop3xE:C"he functPexten23xE:C"PoutbxLt 23

EXTENSION CORDS

Grounded tools require a three wire extension cord. Double insulated tools can use either a two or three wire extension cord. As the distance from the supply outlet increases, you must use a heavier gauge extension cord. Using extension cords with inadequately sized wire causes a serious drop in voltage, resulting in loss of power and possible tool damage. Refer to the table shown to determine the required minimum wire size.

The smaller the gauge number of the wire, the greater the capacity of the cord. For example, a 14 gauge cord can carry a higher current than a 16 gauge cord. When using more than one extension cord to make up the total length, be sure each cord contains at least the minimum wire size required. If you are using one extension cord for more than one tool, add the nameplate amperes and use the sum to determine the required minimum wire size.

Guidelines for Using Extension Cords

- If you are using an extension cord outdoors, be sure it is marked with the suffix "W-A" ("W" in Canada) to indicate that it is acceptable for outdoor use.
- Be sure your extension cord is properly wired and in good electrical condition. Always replace a damaged extension cord or have it repaired by a qualified person before using it.
- Protect your extension cords from sharp objects, excessive heat and damp or wet areas.

Starting, Stopping and Controlling Speed

1. To **start** the tool, pull the trigger.

APPLICATIONS



WARNING!

To reduce the risk of injury, always unplug tool before attaching or removing accessories. Use only specifically recommended accessories. Others may be hazardous.

Drilling in Wood, Composition Materials and Plastic

When drilling in wood, composition materials and plastic, start the drill slowly, gradually increasing speed as you drill. When using twist drill bits, pull the bit out of the hole frequently to clear chips from the bit flutes. Use low speeds for plastics with a low melting point.

Drilling in Metal

When drilling in metal, use high speed steel twist drills or hole saws. Use slow speeds for hard metals and high speeds for softer metals. Lubricate drill bits with cutting oil when drilling in iron or steel. Use a coolant when drilling in nonferrous metals such as copper, brass or aluminum. Back the material to prevent binding and distortion on breakthrough.

Drilling in Masonry

When drilling masonry, use high speed carbide-tipped bits at low speeds. Drilling soft masonry materials such as cinder block requires little pressure. Hard materials like concrete require more pressure. A smooth, even flow of dust indicates the proper drilling rate. Do not let the bit spin in the hole without cutting, since this will damage the bit. Do not use water to settle dust or to cool bit. This will damage the carbide and create a shock hazard.

MAINTENANCE



WARNING!

To reduce the risk of injury, always unplug your tool before performing any maintenance. Never disassemble the tool or try to do any rewiring on the tool's electrical system. Contact a **MILWAUKEE** service facility for ALL repairs.

Maintaining Tools

Keep your tool in good repair by adopting a regular maintenance program. Before use, examine the general condition of your tool. Inspect guards, switches, tool cord set and extension cord for damage. Check for loose screws, misalignment, binding of moving parts, improper mounting, broken parts and any other condition that may affect its safe operation. If abnormal noise or vibration occurs, turn the tool off immediately and have the problem corrected before further use. Do not use a damaged tool. Tag damaged tools "DO NOT USE" until repaired (see "Repairs").

Under normal conditions, relubrication is not necessary until the motor brushes need to be replaced. After six months to one year, depending on use, return your tool to the nearest _____ service facility for the following:

- Lubrication
- Brush inspection and replacement
- Mechanical inspection and cleaning (gears, spindles, bearings, housing, etc.)
- Electrical inspection (switch, cord, armature, etc.)
- Testing to assure proper mechanical and electrical operation



WARNING!

To reduce the risk of injury, electric shock and damage to the tool, never immerse your tool in liquid or allow a liquid to flow inside the tool.

Cleaning

Clean dust and debris from vents. Keep the tool handles clean, dry and free of oil or grease. Use only mild soap and a damp cloth to clean your tool since certain cleaning agents and solvents are harmful to plastics and other insulated parts. Some of these include: gasoline, turpentine, lacquer thinner, paint thinner, chlorinated cleaning solvents, ammonia and household detergents containing ammonia. Never use flammable or combustible solvents around tools.

Repairs

If your tool is damaged, return the entire tool to the nearest service center.

ACCESSORIES



WARNING!

To reduce the risk of injury, always unplug the tool before attaching or removing accessories. Use only specifically recommended accessories. Others may be hazardous.

For a complete listing of accessories refer to your _____ Electric Tool catalog or go on-line to www.milwaukeetool.com. To obtain a catalog, contact your local distributor or a service center.

FIVE YEAR TOOL LIMITED WARRANTY

Every _____ tool is tested before leaving the factory and is warranted to be free from defects in material and workmanship. _____ will repair or replace (at _____'s discretion), without charge, any tool (including battery chargers) which examination proves to be defective in material or workmanship from five (5) years after the date of purchase. Return the tool and a copy of the purchase receipt or other proof of purchase to a _____ Factory Service/Sales Support Branch location or _____ Authorized Service Station, freight prepaid and insured. This warranty does not cover damage from repairs made or attempted by other than _____ authorized personnel, abuse, normal wear and tear, lack of maintenance, or accidents. Battery Packs, Flashlights, and Radios are warranted for one (1) year from the date of purchase.

THE REPAIR AND REPLACEMENT REMEDIES DESCRIBED HEREIN ARE EXCLUSIVE. IN NO EVENT SHALL _____ BE LIABLE FOR ANY INCIDENTAL, SPECIAL, OR CONSEQUENTIAL DAMAGES, INCLUDING LOSS OF PROFITS.

THIS WARRANTY IS EXCLUSIVE AND IN LIEU OF ALL OTHER WARRANTIES, OR CONDITIONS, WRITTEN OR ORAL, EXPRESSED OR IMPLIED FOR MERCHANTABILITY OR FITNESS FOR PARTICULAR USE OR PURPOSE.

This warranty gives you specific legal rights. You may also have other rights that vary from state to state and province to province. In those states that do not allow the exclusion of implied warranties or limitation of incidental or consequential damages, the above limitations or exclusions may not apply to you. This warranty applies to the United States, Canada, and Mexico only.

RÈGLES GÉNÉRALES DE SÉCURITÉ POUR LES OUTILS ÉLECTRIQUE



AVERTISSEMENT!

LIRE SOIGNEUSEMENT TOUTES LES INSTRUCTIONS

Le non respect des instructions ci-après peut entraîner des chocs électriques, des incendies et/ou des blessures graves. Le terme «outil électrique» figurant dans les avertissements ci-dessous renvoie à l'outil électrique à alimentation par le réseau (à cordon) ou par batterie (sans fil).

CONSERVER CES INSTRUCTIONS

SÉCURITÉ DU LIEU DE TRAVAIL

1. **Maintenir la zone de travail propre et bien éclairée.** Les zones encombrées ou mal éclairées sont favorables aux accidents.
2. **Ne pas utiliser d'outil électrique dans une atmosphère explosive, telle qu'en en présence de liquides, de gaz ou de poussières inflammables.** Les outils électriques génèrent des étincelles qui peuvent enflammer les poussières ou les fumées.
3. **Tenir les enfants et les personnes non autorisées à l'écart pendant le fonctionnement d'un outil électrique.** Un manque d'attention de l'opérateur risque de lui faire perdre le contrôle de l'outil.

SÉCURITÉ ÉLECTRIQUE

4. **La fiche de l'outil électrique doit correspondre à la prise d'alimentation. Ne jamais modifier la fiche d'une manière quelconque. Ne pas utiliser d'adaptateur avec les outils électriques mis à la terre (à la masse).** Des fiches non modifiées et des prises d'alimentation assorties réduisent le risque de choc électrique.
5. **Éviter tout contact corporel avec des surfaces reliées à la masse ou à la terre telles que tuyaux, radiateurs, cuisinières et réfrigérateurs.** Un risque de choc électrique plus élevé existe si le corps est relié à la masse ou à la terre.
6. **Ne pas exposer les outils électriques à la pluie ou à l'humidité.** Le risque de choc électrique augmente si de l'eau s'infiltré dans un outil électrique.
7. **Prendre soin du cordon. Ne jamais utiliser le cordon pour transporter, tirer ou débrancher l'outil électrique. Tenir le cordon à l'écart de la chaleur, des huiles, des arêtes coupantes ou des pièces en mouvement.** Un cordon endommagé ou emmêlé présente un risque de choc électrique.
8. **Se procurer un cordon d'alimentation approprié en cas d'utilisation d'un outil électrique à l'extérieur.** L'utilisation d'un cordon d'alimentation pour usage extérieur réduit le risque de choc électrique.

SÉCURITÉ INDIVIDUELLE

9. **Être sur ses gardes, être attentif et faire preuve de bon sens en utilisant un outil électrique. Ne pas utiliser un outil électrique en cas de fatigue ou sous l'influence de drogues, d'alcool ou de médicaments.** Un instant d'inattention lors de l'utilisation d'un outil électrique peut entraîner des blessures graves.
10. **Utiliser un équipement de sécurité. Toujours porter des lunettes de protection.** Un équipement de sécurité comprenant masque anti-poussière, chaussures de sécurité anti-dérapantes, casque ou dispositif de protection anti-bruit peut, dans les circonstances appropriées, réduire le risque de blessure.
11. **Éviter tout démarrage accidentel de l'outil. S'assurer que le commutateur est en position OFF (Arrêt) avant de brancher l'outil.** Le port de l'outil avec un doigt sur le commutateur ou son branchement avec le commutateur en position ON (Marche) sont favorables aux accidents.
12. **Retirer toute clé de réglage avant de mettre l'outil sous tension.** Une clé laissée attachée sur une pièce mobile de l'outil électrique peut entraîner des blessures.

13. **Ne pas travailler à bout de bras. Bien garder un bon équilibre à tout instant.** Ceci permet de mieux préserver la maîtrise de l'outil électrique dans des situations imprévues.
14. **Porter des vêtements adéquats. Ne pas porter de vêtements amples ni de bijoux. Ne pas approcher des cheveux, vêtements et gants des pièces en mouvement.** Les vêtements amples, les bijoux ou les cheveux longs risquent d'être happés par les pièces en mouvement.
15. **Si des dispositifs sont prévus pour l'extraction et la récupération des poussières, vérifier qu'ils sont connectés et utilisés correctement.** L'utilisation de ces dispositifs peut réduire les risques liés aux poussières.

UTILISATION ET ENTRETIEN DE L'OUTIL ÉLECTRIQUE

16. **Ne pas forcer l'outil électrique. Utiliser l'outil électrique approprié à l'application considérée.** L'outil électrique adapté au projet considéré produira de meilleurs résultats, dans des conditions de sécurité meilleures, à la vitesse pour laquelle il a été conçu.
17. **Ne pas utiliser l'outil électrique si le commutateur ne le met pas sous ou hors tension.** Tout outil électrique dont le commutateur de marche-arrêt est inopérant est dangereux et doit être réparé.
18. **Débrancher la fiche de la prise d'alimentation et/ou la batterie de l'outil électrique avant d'effectuer des réglages, de changer d'accessoires ou de ranger l'outil.** De telles mesures de sécurité préventive réduisent le risque de mettre l'outil en marche accidentellement.
19. **Ranger les outils électriques inutilisés hors de la portée des enfants et ne pas laisser des personnes qui connaissent mal les outils électriques ou ces instructions utiliser ces outils.** Les outils électriques sont dangereux dans les mains d'utilisateurs non formés à leur usage.
20. **Entretien des outils électriques. S'assurer de l'absence de tout désalignement ou de grippage des pièces mobiles, de toute rupture de pièce ou de toute autre condition qui pourrait affecter le bon fonctionnement de l'outil électrique. En cas de dommages, faire réparer l'outil avant de l'utiliser de nouveau.** Les outils électriques mal entretenus sont à la source de nombreux accidents.
21. **Garder les outils de coupe affûtés et propres.** Les outils de coupe correctement entretenus et bien affûtés risquent moins de se gripper et sont plus faciles à manier.
22. **Utiliser cet outil électrique, les accessoires, les mèches, etc. conformément à ces instructions et de la façon prévue pour ce type particulier d'outil électrique, tout en prenant en compte les conditions de travail et le type de projet considérés.** L'utilisation de cet outil électrique pour un usage autre que l'usage prévu peut créer des situations dangereuses.

ENTRETIEN

23. **Faire effectuer l'entretien de l'outil électrique par un technicien qualifié qui n'utilisera que des pièces de rechange identiques.** La sécurité d'utilisation de l'outil en sera préservée.

RÈGLES DE SÉCURITÉ PARTICULIÈRES

1. **Utiliser les poignées auxiliaires fournies avec l'outil.** Une perte de contrôle peut provoquer des blessures.
2. **Porter des protège-oreilles avec un marteau perforateur.** Une exposition au bruit peut provoquer une perte auditive.
3. **Tenir l'outil par les surfaces de prise isolées si, au cours des travaux, l'outil de coupe risque d'entrer en contact avec des fils cachés ou avec son propre cordon.** Le contact avec un fil sous tension met les parties métalliques exposées de l'outil sous tension, ce qui infligera un choc électrique à l'opérateur.
4. **Tenez les mains à l'écart des arêtes tranchantes et des pièces en mouvement.**
5. **Entretenez les étiquettes et marques du fabricant.** Les indications qu'elles contiennent sont précieuses. Si elles deviennent illisibles ou se détachent, faites-les remplacer gratuitement à un centre de service accrédité.
6. **AVERTISSEMENT!** La poussière dégagée par perçage, sciage et autres travaux de construction contient des substances chimiques reconnues comme pouvant causer le cancer, des malformations congénitales ou d'autres troubles de reproduction. Voici quelques exemples de telles substances :
 - Le plomb contenu dans la peinture au plomb.
 - Le silice cristallin contenu dans la brique, le béton et divers produits de maçonnerie.
 - L'arsenic et le chrome servant au traitement chimique du bois.

Les risques associés à l'exposition à ces substances varient, dépendant de la fréquence des travaux. Afin de minimiser l'exposition à ces substances chimiques, assurez-vous de travailler dans un endroit bien aéré et d'utiliser de l'équipement de sécurité tel un masque antipoussière spécifiquement conçu pour la filtration de particules microscopiques.

DESCRIPTION FONCTIONNELLE

1. Mandrin
2. Collier sélecteur rotation/percussion
3. Fiche signalétique
4. Inverseur de rotation
5. Cordon
6. Bouton de blocage
7. Détente
8. Poignée latérale
9. Jauge de profondeur
10. Écran antipoussière

MISE À LA TERRE



Si le fil de mise à la terre est incorrectement raccordé, il peut en résulter des risques de choc électrique. Si vous n'êtes pas certain que la prise dont vous vous servez est correctement mise à la terre, faites-la vérifier par un électricien. N'altérez pas la fiche du cordon de l'outil. N'enlevez pas de la fiche, la dent qui sert à la mise à la terre. N'employez pas l'outil si le cordon ou la fiche sont en mauvais état. Si tel est le cas, faites-les réparer dans un centre-service MILWAUKEE accrédité avant de vous en servir. Si la fiche du cordon ne s'adapte pas à la prise, faites remplacer la prise par un électricien.

Outils mis à la terre : Outils pourvus d'une fiche de cordon à trois dents

Les outils marqués « Mise à la terre requise » sont pourvus d'un cordon à trois fils dont la fiche a trois dents. La fiche du cordon doit être branchée sur une prise correctement mise à la terre (voir Figure A). De cette façon, si une défectuosité dans le circuit électrique de l'outil survient, le relais à la terre fournira un conducteur à faible résistance pour décharger le courant et protéger l'utilisateur contre les risques de choc électrique.

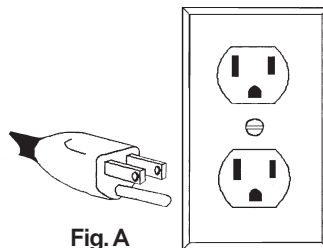


Fig. A

La dent de mise à la terre de la fiche est reliée au système de mise à la terre de l'outil via le fil vert du cordon. Le fil vert du cordon doit être le seul fil raccordé à un bout au système de mise à la terre de l'outil et son autre extrémité ne doit jamais être raccordée à une borne sous tension électrique.

Votre outil doit être branché sur une prise appropriée, correctement installée et mise à la terre conformément aux codes et ordonnances en vigueur. La fiche du cordon et la prise de courant doivent être semblables à celles de la Figure A.

Outils à double isolation : Outils pourvus d'une fiche de cordon à deux dents

Les outils marqués « Double Isolation » n'ont pas besoin d'être raccordés à la terre. Ils sont pourvus d'une double isolation conforme aux exigences de l'OSHA et satisfait aux normes de l'Underwriters Laboratories, Inc., de l'Association canadienne de normalisation (ACNOR) et du « National Electrical Code » (code national de l'électricité). Les outils à double isolation peuvent être branchés sur n'importe laquelle des prises à 120 volt illustrées ci-contre Figure B et C.

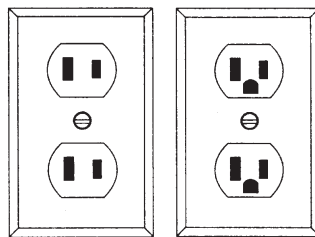


Fig. B

Fig. C

CORDONS DE RALLONGE

Si l'emploi d'un cordon de rallonge est nécessaire, un cordon à trois fils doit être employé pour les outils mis à la terre. Pour les outils à double isolation, on peut employer indifféremment un cordon de rallonge à deux ou trois fils. Plus la longueur du cordon entre l'outil et la prise de courant est grande, plus le calibre du cordon doit être élevé. L'utilisation d'un cordon de rallonge incorrectement calibré entraîne une chute de voltage résultant en une perte de puissance qui risque de détériorer l'outil. Reportez-vous au tableau ci-contre pour déterminer le calibre minimum du cordon.

Moins le calibre du fil est élevé, plus sa conductivité est bonne. Par exemple, un cordon de calibre 14 a une meilleure conductivité qu'un cordon de calibre 16. Lorsque vous utilisez plus d'une rallonge pour couvrir la distance, assurez-vous que chaque cordon possède le calibre minimum requis. Si vous utilisez un seul cordon pour brancher plusieurs outils, additionnez le chiffre d'intensité (ampères) inscrit sur la fiche signalétique de chaque outil pour obtenir le calibre minimal requis pour le cordon.

Directives pour l'emploi des cordons de rallonge

- Si vous utilisez une rallonge à l'extérieur, assurez-vous qu'elle est marquée des sigles « W-A » (« W » au Canada) indiquant qu'elle est adéquate pour usage extérieur.
- Assurez-vous que le cordon de rallonge est correctement câblé et en bonne condition. Remplacez tout cordon de rallonge détérioré ou faites-le remettre en état par une personne compétente avant de vous en servir.
- Tenez votre cordon de rallonge à l'écart des objets ranchants, des sources de grande chaleur et des endroits humides ou mouillés.

Calibres minimaux recommandés pour les cordons de rallonge*

Fiche signalétique Ampères	Longueur du cordon de rallonge (m)					
	7,6	15,2	22,8	30,4	45,7	60,9
0 - 5,0	16	16	16	14	12	12
5,1 - 8,0	16	16	14	12	10	--
8,1 - 12,0	14	14	12	10	--	--
12,1 - 15,0	12	12	10	10	--	--
15,1 - 20,0	10	10	10	--	--	--

* Basé sur une chute de voltage limite de 5 volts à 150% de l'intensité moyenne de courant.

**LISEZ ATTENTIVEMENT CES INSTRUCTIONS
ET CONSERVEZ-LES POUR LES
CONSULTER AU BESOIN.**

⚠️ AVERTISSEMENT!

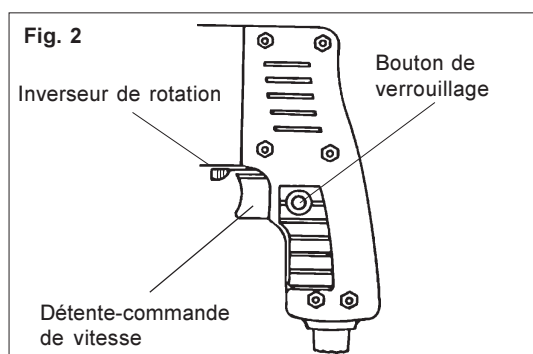
Pour minimiser les risques de blessures, portez des lunettes à coques latérales. Débranchez l'outil avant de changer les accessoires ou d'effectuer des réglages.

Démarrage, Arrêt et Contrôle de Vitesse

1. Pour **mettre** l'outil en marche, appuyez sur la détente.
2. Pour varier la vitesse de rotation, il s'agit simplement d'augmenter ou de diminuer la pression sur la détente. Plus la détente est enfoncée, plus la vitesse de rotation est grande.
3. Pour **arrêter** l'outil, relâchez la détente.

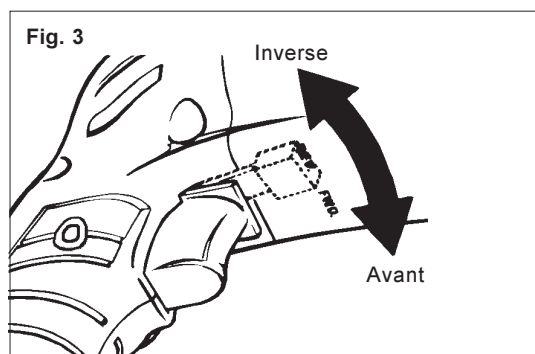
Verrouillage de la Détente (Fig. 2)

Le bouton de verrouillage sert à maintenir la détente en position de marche "ON" pour la rotation continue à plein régime.



1. Pour verrouiller la détente, enfoncez le bouton de verrouillage tout en appuyant sur la détente. Relâchez ensuite la détente.
2. Pour déverrouiller la détente, enfoncez et relâchez la détente.

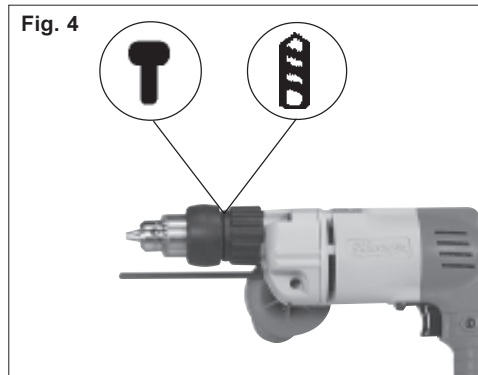
Utilisation de l'Inverseur de Rotation (Fig. 3)



1. Pour la rotation avant, (sens horaire) poussez le levier inverseur vers la droite.
2. Pour inverser la rotation (sens inverse-horaire), poussez le levier inverseur vers la gauche. Malgré qu'un système de verrouillage réciproque empêche l'inversion de la rotation pendant que l'outil est en marche, laissez quand même l'outil s'arrêter complètement de tourner avant d'actionner le levier inverseur.

Utilisation du mécanisme d'accouplement (Fig. 4)

Les perceuses à percussion sont conçues pour combiner deux modes de fonctionnement et driller avec ou sans percussion.



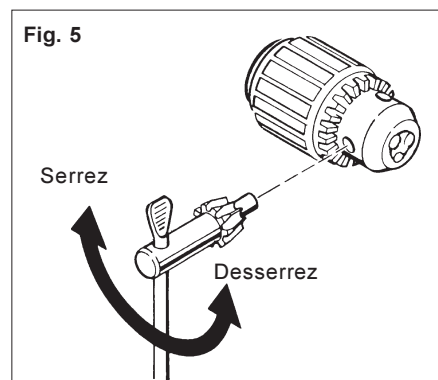
1. Pour utiliser la rotation avec percussion, tournez le collet d'accouplement moleté jusqu'à ce que le symbole de rotation et percussion apparaisse au centre du haut du collet. Appuyez sur le foret pour enclencher le mécanisme de percussion.
2. Pour utiliser la rotation seulement, tournez le collet d'accouplement moleté jusqu'à ce que le symbole de rotation seulement apparaisse au centre du haut du collet.

Poignée Latérale Auxiliaire et Jauge de Profondeur

Une poignée latérale est fournie pour procurer une maîtrise parfaite de l'outil. La poignée peut être vissée d'un côté ou de l'autre de la boîte d'engrenages. Elle sert en même temps à maintenir la jauge de profondeur en place entre la bride fixée à sa tige et la rainure pratiquée dans la boîte d'engrenages. Pour changer le réglage de la jauge, desserrez légèrement la poignée, positionnez la jauge et resserrez la poignée.

Insertion du Foret Dans la Mandrin à Clé (Fig. 5)

Les perceuses à percussion sont pourvues d'un robuste mandrin à entraînement démultiplié et serrage à clé.



1. Écartez les mâchoires du mandrin assez pour insérer le foret dans le mandrin. Assurez-vous que les mâchoires du mandrin et la tige du foret sont propres, car des particules de saleté pourraient nuire à l'alignement du foret.
2. Si vous employez un foret, centrez-le dans le mandrin et retirez-le d'environ 2 mm (1/16") du fond. Ensuite, serrez le mandrin à la main pour aligner le foret.
3. Placez la clé de mandrin dans chacun des trois trous du mandrin et tournez-la en sens horaire, tel qu'indiqué. Serrez à fond.

Écran Antipoussière

Un écran antipoussière empêche la poussière abrasive de s'infiltrer dans le mécanisme et souiller le lubrifiant. N'utilisez pas la perceuse à percussion sans son écran antipoussière.

APPLICATIONS



AVERTISSEMENT!

Pour minimiser les risques de blessures, débranchez toujours l'outil avant d'y installer ou d'en enlever les accessoires. L'emploi d'accessoires autres que ceux qui sont expressément recommandés pour cet outil peut présenter des risques.

Perçage du Bois, des Agglomérés et du Plastique

Posez le foret sur la pièce à ouvrir et commencez lentement. Augmentez la vitesse progressivement. Si vous utilisez un foret hélicoïdal, retirez-le fréquemment du trou pour débarrasser les cannelures des débris. Les basses vitesses sont recommandées pour les plastiques dont le point de fusion est peu élevé.

Perçage des Métaux

Pour driller dans le métal, utilisez un foret hélicoïdal d'acier rapide ou une lame-scie. Drillez à basse vitesse dans les métaux durs et à haute vitesse dans les métaux mous. Lubrifiez le foret à l'huile de coupe lorsque vous drillez dans le fer ou l'acier. Pour les métaux non ferreux, tels l'aluminium, le laiton ou le cuivre, utilisez un liquide refroidisseur. Appuyez le matériau pour prévenir le gauchissement au moment où le foret passe au travers.

Perçage Dans la Maçonnerie

Lorsque vous drillez dans la maçonnerie utilisez un foret à pointe de carbure à basse vitesse. Pour percer dans les matériaux mous, tels les blocs de cendre, diminuez la pression sur le foret. Les matériaux durs comme le béton exigent une plus forte pression. L'évacuation d'une fine poussière indique que le foret drille correctement. Ne laissez pas le foret tourner à vide dans le trou, car cela pourrait en émousser la pointe. N'employez pas d'eau pour abattre la poussière ou refroidir le foret, cela pourrait endommager le carbure du foret et créer un risque de choc électrique.

MAINTENANCE



AVERTISSEMENT!

Pour minimiser les risques de blessures, débranchez toujours l'outil avant d'y effectuer des travaux de maintenance. Ne faites pas vous-même le démontage de l'outil ni le rebobinage du système électrique. Consultez un centre de service **MILWAUKEE** accrédité pour toutes les réparations.

Entretien de l'outil

Gardez l'outil en bon état en adoptant un programme d'entretien ponctuel. Avant de vous en servir, examinez son état en général. Inspectez-en la garde, interrupteur, cordon et cordon de rallonge pour en déceler les défauts. Vérifiez le serrage des vis, l'alignement et le jeu des pièces mobiles, les vices de montage, bris de pièces et toute autre condition pouvant en rendre le fonctionnement dangereux. Si un bruit ou une vibration insolite survient, arrêtez immédiatement l'outil et faites-le vérifier avant de vous en servir de nouveau. N'utilisez pas un outil défectueux. Fixez-y une étiquette marquée « HORS D'USAGE » jusqu'à ce qu'il soit réparé (voir « Réparations »).

Normalement, il ne sera pas nécessaire de lubrifier l'outil avant que le temps ne soit venu de remplacer les balais. Après une période pouvant aller de 6 mois à un an, selon l'usage, retournez votre outil à un centre de service accrédité pour obtenir les services suivants :

- Lubrification
- Inspection et remplacement des balais
- Inspection et nettoyage de la mécanique (engrenages, pivots, coussinets, boîtier etc.)
- Inspection électrique (interrupteur, cordon, induit etc.)
- Vérification du fonctionnement électromécanique



AVERTISSEMENT!

Pour minimiser les risques de blessures, choc électrique et dommage à l'outil, n'immergez jamais l'outil et ne laissez pas de liquide s'y infiltrer.

Nettoyage

Débarrassez les événements des débris et de la poussière. Gardez les poignées de l'outil propres, à sec et exemptes d'huile ou de graisse. Le nettoyage de l'outil doit se faire avec un linge humide et un savon doux. Certains nettoyants tels l'essence, la térébenthine, les diluants à laque ou à peinture, les solvants chlorés, l'ammoniaque et les détergents d'usage domestique qui en contiennent pourraient détériorer le plastique et l'isolation des pièces. Ne laissez jamais de solvants inflammables ou combustibles auprès des outils.

Réparations

Si votre outil est endommagé, retourne l'outil entier au centre de maintenance le plus proche.

ACCESSOIRES



AVERTISSEMENT!

Pour minimiser les risques de blessures, débranchez toujours l'outil avant d'y installer ou d'en enlever les accessoires. L'emploi d'accessoires autres que ceux qui sont expressément recommandés pour cet outil peut présenter des risques.

Pour une liste complète des accessoires, prière de se reporter au catalogue Electric Tool ou visiter le site internet www.milwaukeetool.com. Pour obtenir un catalogue, il suffit de contacter votre distributeur local ou l'un des centres-service.

GARANTIE LIMITÉE DE L'OUTIL DE CINQ ANS

Tous les outils sont testés avant de quitter l'usine et sont garantis exempts de vice de matériau ou de fabrication. réparera ou remplacera (à la discrétion de), sans frais, tout outil (y compris les chargeurs de batterie) dont l'examen démontre le caractère défectueux du matériau ou de la fabrication dans les cinq (5) ans suivant la date d'achat. Retourner l'outil et une copie de la facture ou de toute autre preuve d'achat à une branche Entretien usine/Assistance des ventes de l'établissement ou à un centre d'entretien agréé par , en port payé et assuré. Cette garantie ne couvre pas les dommages causés par les réparations ou les tentatives de réparation par quiconque autre que le personnel agréé par , les utilisations abusives, l'usure normale, les carences d'entretien ou les accidents.

Les batteries, les lampes de poche et les radios sont garanties pour un (1) an à partir de la date d'achat.

LES SOLUTIONS DE RÉPARATION ET DE REMPLACEMENT DÉCRITES PAR LES PRÉSENTES SONT EXCLUSIVES. NE SAURAIT ÊTRE RESPONSABLE, EN AUCUNE CIRCONSTANCE, DES DOMMAGES ACCESSOIRES, SPÉCIAUX OU INDIRECTS, Y COMPRIS LES MANQUES À GAGNER.

CETTE GARANTIE EST EXCLUSIVE ET REMPLACE TOUTES LES AUTRES GARANTIES OU CONDITIONS, ÉCRITES OU ORALES, EXPRESSES OU TACITES DE QUALITÉ MARCHANDE OU D'ADAPTATION À UNE UTILISATION OU UNE FIN PARTICULIÈRE.

Cette garantie vous donne des droits particuliers. Vous pouvez aussi bénéficier d'autres droits variant d'un état à un autre et d'une province à une autre. Dans les états qui n'autorisent pas les exclusions de garantie tacite ou la limitation des dommages accessoires ou indirects, les limitations ou exclusions ci-dessus peuvent ne pas s'appliquer. Cette garantie s'applique aux États-Unis, au Canada et au Mexique uniquement.

REGLAS DE SEGURIDAD GENERALES PARA HERRAMIENTAS ELÉCTRICAS



¡ADVERTENCIA!

LEA TODAS LAS INSTRUCCIONES

Si no se siguen todas las siguientes instrucciones se puede provocar una descarga eléctrica, un incendio y/o lesiones graves. El término "herramienta eléctrica" en todas las advertencias incluidas más abajo se refiere a su herramienta operada por conexión (cable) a la red eléctrica o por medio de una batería (inalámbrica).

GUAORDE ESTAS INSTRUCCIONES

SEGURIDAD EN EL ÁREA DE TRABAJO

1. **Mantenga limpia y bien iluminada el área de trabajo.** Las áreas desordenadas u oscuras contribuyen a que se produzcan accidentes.
2. **No utilice herramientas eléctricas en atmósferas explosivas, como en la presencia de líquidos, gases o polvo inflamables.** Las herramientas eléctricas crean chispas que pueden incendiar el polvo o las emanaciones.
3. **Mantenga a los niños y otras personas alejadas mientras utiliza una herramienta eléctrica.** Las distracciones pueden hacerle perder el control.

SEGURIDAD ELÉCTRICA

4. **Los enchufes de las herramientas eléctricas deben ser del mismo tipo que el tomacorrientes.** Nunca realice ningún tipo de modificación en el enchufe. **No use enchufes adaptadores con herramientas eléctricas con conexión a tierra.** Se reducirá el riesgo de descarga eléctrica si no se modifican los enchufes y los tomacorrientes son del mismo tipo.
5. **Evite el contacto corporal con superficies con conexión a tierra, como tuberías, radiadores, estufas y refrigeradores.** El riesgo de descarga eléctrica aumenta si su cuerpo está conectado a tierra.
6. **No exponga la herramientas eléctricas a la lluvia o a condiciones de humedad.** El agua que entra en una herramienta eléctrica aumenta el riesgo de descarga eléctrica.
7. **No abuse del cable.** Nunca use el cable para transportar la herramienta eléctrica, tirar de ella o desenchufarla. **Mantenga el cable alejado del calor, los bordes afilados o las piezas en movimiento.** Los cables dañados o enmarañados aumentan el riesgo de descarga eléctrica.
8. **Cuando se utiliza una herramienta eléctrica en el exterior, use una extensión que sea apropiada para uso en el exterior.** El uso de un cable apropiado para el exterior reduce el riesgo de descarga eléctrica.

SEGURIDAD PERSONAL

9. **Manténgase alerta, ponga cuidado a lo que está haciendo y use el sentido común cuando utilice una herramienta eléctrica.** **No use una herramienta eléctrica cuando está cansado o bajo la influencia de drogas, alcohol o medicinas.** Despijarse un minuto cuando se utiliza una herramienta eléctrica puede tener como resultado lesiones personales graves.
10. **Use equipo de seguridad.** Lleve siempre protección ocular. Llevar equipo de seguridad apropiado para la situación, como una máscara antipolvo, zapatos de seguridad antideslizantes casco o protección auditiva, reducirá las lesiones personales.
11. **Evite los arranques accidentales.** Asegúrese de que el interruptor esté en la posición de apagado antes de enchufar la herramienta. Mover herramientas con el dedo en el interruptor o enchufar herramientas con el interruptor en la posición de encendido contribuye a que se produzcan accidentes.
12. **Quite todas las llaves de ajuste antes de encender la herramienta.** Una llave que esté acoplada a una pieza giratoria de la herramienta puede provocar lesiones personales.

13. **No se estire demasiado.** Mantenga los pies bien asentados y el equilibrio en todo momento. Esto permite tener mejor control de la herramienta eléctrica en situaciones inesperadas.
14. **Vístase de manera apropiada.** **No lleve ropa suelta ni joyas.** Mantenga el cabello, la ropa y los guantes lejos de la piezas en movimiento. La ropa floja, las joyas o el cabello largo pueden quedar atrapados en las piezas en movimiento.
15. **Si se proporcionan dispositivos para la conexión de sistemas de recolección y extracción de polvo, asegúrese de que estén conectados y se usen apropiadamente.** El uso de estos dispositivos puede reducir los peligros relacionados con el polvo.

USO Y CUIDADO DE LAS HERRAMIENTAS ELÉCTRICAS

16. **No fuerce la herramienta eléctrica.** Use la herramienta eléctrica correcta para la aplicación. La herramienta eléctrica correcta funcionará mejor y de manera más segura a la velocidad para la que se diseñó.
17. **No use la herramienta eléctrica si el interruptor no la enciende ni la apaga.** Cualquier herramienta eléctrica que no se pueda controlar con el interruptor es peligrosa y se debe reparar.
18. **Desconecte el enchufe de la toma de alimentación y/o la batería de la herramienta eléctrica antes de realizar cualquier ajuste, cambiar accesorios o almacenar las herramientas eléctricas.** Dichas medidas preventivas de seguridad reducen el riesgo de que la herramienta se prenda accidentalmente.
19. **Almacene las herramientas eléctricas fuera del alcance de los niños y no permita que personas no familiarizadas con ellas o estas instrucciones las utilicen.** Las herramientas eléctricas son peligrosas en las manos de usuarios no capacitados.
20. **Mantenimiento de las herramientas eléctricas.** Revise que no haya piezas móviles que estén desalineadas o que se atasquen, piezas rotas ni ninguna otra condición que pueda afectar el funcionamiento de la herramienta eléctrica. **Si se encuentran daños, haga que le reparen la herramienta antes de usarla.** Las herramientas mal mantenidas son la causa de muchos accidentes.
21. **Mantenga las herramientas de corte limpias y afiladas.** Es menos probable que se atasquen las herramientas de corte con filos afilados que se mantienen de manera apropiada y también son más fáciles de controlar.
22. **Use la herramienta eléctrica, los accesorios y las brocas, etc. siguiendo estas instrucciones y de la manera para la que dicha herramienta eléctrica en particular fue diseñada, teniendo en cuenta las condiciones de trabajo y la tarea que se va a realizar.** El uso de la herramienta eléctrica para operaciones diferentes de aquellas para las que se diseño podría resultar en una situación peligrosa.

MANTENIMIENTO

23. **Haga que un técnico calificado realice el mantenimiento de la herramienta eléctrica utilizando solamente piezas de repuesto idénticas.** Esto asegurará que se mantiene la seguridad de la herramienta eléctrica.

REGLAS ESPECIFICAS DE SEGURIDAD

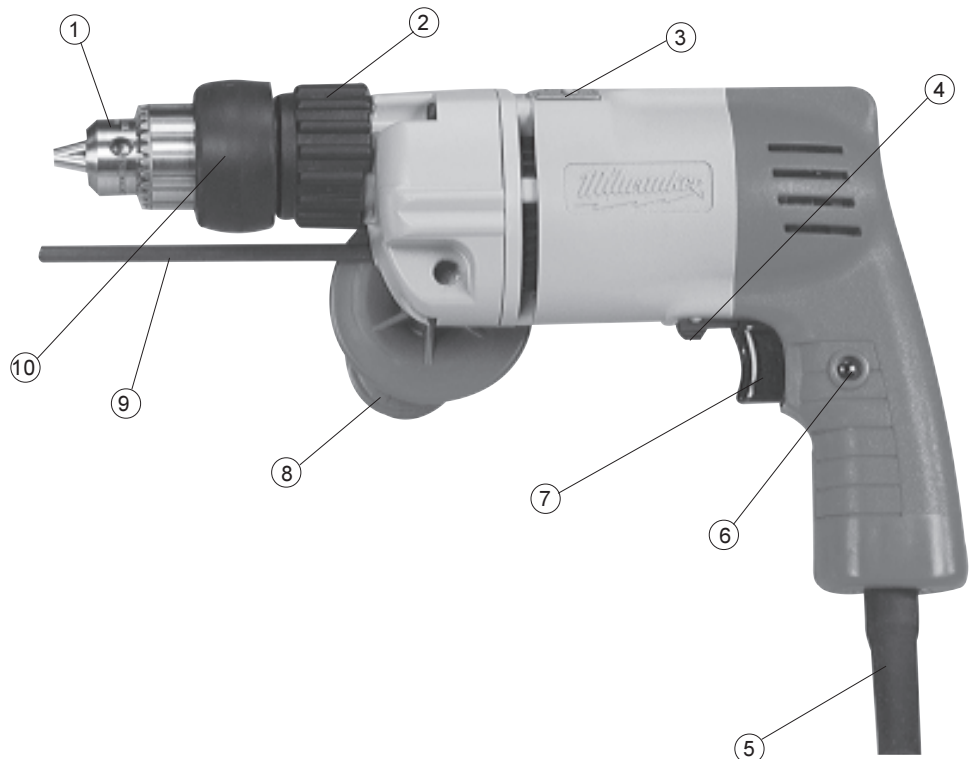
1. Use los asideros auxiliares que se suministran con la herramienta. La pérdida de control puede provocar lesiones personales.
2. Lleve protectores auditivos cuando use la broca de impacto. La exposición a ruido puede producir la pérdida de la audición.
3. Agarre la herramienta por los asideros aislados cuando realice una operación en la que la herramienta de corte pueda entrar en contacto con cables ocultos o con su propio cable. El contacto con un cable "con corriente" hará que las partes de metal expuesto de la herramienta pasen la corriente y produzcan una descarga al operador.
4. Mantenga las manos alejadas de todos los bordes cortadores y partes en movimiento.
5. Guarde las etiquetas y placas de especificaciones. Estas tienen información importante. Si son ilegibles o si no se pueden encontrar, póngase en contacto con un centro de servicio de para una refacción gratis.
6. ¡ADVERTENCIA! Algunas partículas de polvo resultantes del lijado mecánico, aserrado, esmerilado, taladrado y otras actividades relacionadas a la construcción, contienen sustancias químicas que se saben ocasionan cáncer, defectos congénitos u otros daños al aparato reproductivo. A continuación se citan algunos ejemplos de tales sustancias químicas:
 - plomo proveniente de pinturas con base de plomo
 - sílice cristalino proveniente de ladrillos, cemento y otros productos de albañilería y
 - arsénico y cromo provenientes de madera químicamente tratada.

El riesgo que usted sufre debido a la exposición varía dependiendo de la frecuencia con la que usted realiza estas tareas. Para reducir la exposición a estas sustancias químicas: trabaje en un área bien ventilada, y utilice equipo de seguridad aprobado como, por ejemplo, máscaras contra el polvo que hayan sido específicamente diseñadas para filtrar partículas microscópicas.

Especificaciones					Capacidades				Simbología	
Cat. No.	Volts ca	Watts	rpm	Golpes por minuto	En Acero	En Madera	En Concreto y Piedra		$V \sim$	Volts de corriente alterna
					Brocas convencionales	Brocas de manita	Brocas con carburo	Tornillos	$n_{o} \text{xxx}/\text{min.}$	Revoluciones por minuto sin carga (rpm)
5392-1	120	550	0 - 2 500	0 - 50 000	10mm (3/8")	19mm (3/4")	14mm (9/16")	5mm (3/16")	A	Amperios
									UL	Underwriters Laboratories, Inc.
									CSA	Canadian Standards Association
									NOM-ANCE	Marca mejicana de la aprobación

DESCRIPCION FUNCIONAL

1. Broquero
2. Collarín de cambio
3. Placa de especificaciones
4. Interruptor de acción y reversa
5. Cable eléctrico
6. Seguro del gatillo
7. Gatillo
8. Mango lateral removible
9. Varilla graduadora de profundidad
10. Protecto de hule contra el polvo



TIERRA



¡ADVERTENCIA!

Puede haber riesgo de descarga eléctrica si se conecta el cable de conexión de puesta a tierra incorrectamente. Consulte con un electricista certificado si tiene dudas respecto a la conexión de puesta a tierra del tomacorriente. No modifique el enchufe que se proporciona con la herramienta. Nunca retire la clavija de conexión de puesta a tierra del enchufe. No use la herramienta si el cable o el enchufe está dañado. Si está dañado antes de usarlo, llévelo a un centro de servicio **MILWAUKEE** para que lo reparen. Si el enchufe no se acopla al tomacorriente, haga que un electricista certificado instale un tomacorriente adecuado.

Herramientas con conexión a tierra:

Herramientas con enchufes de tres clavijas

Las herramientas marcadas con la frase "Se requiere conexión de puesta a tierra" tienen un cable de tres hilos y enchufes de conexión de puesta a tierra de tres clavijas. El enchufe debe conectarse a un tomacorriente debidamente conectado a tierra (véase la Figura A). Si la herramienta se avería o no funcionara correctamente, la conexión de puesta a tierra proporciona un trayecto de baja resistencia para desviar la corriente eléctrica de la trayectoria del usuario, reduciendo de este modo el riesgo de descarga eléctrica.

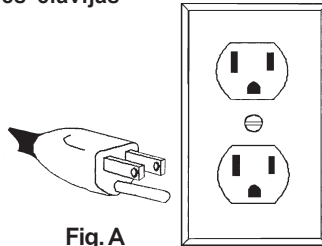


Fig. A

La clavija de conexión de puesta a tierra en el enchufe está conectada al sistema de conexión de puesta a tierra de la herramienta a través del hilo verde dentro del cable. El hilo verde debe ser el único hilo conectado al sistema de conexión de puesta a tierra de la herramienta y nunca se debe unir a una terminal energizada.

Su herramienta debe estar enchufada en un tomacorriente apropiado, correctamente instalado y conectado a tierra según todos los códigos y reglamentos. El enchufe y el tomacorriente deben asemejarse a los de la Figura A.

Herramientas con doble aislamiento:

Herramientas con clavijas de dos patas

Las herramientas marcadas con "Doble aislamiento" no requieren conectarse "a tierra". Estas herramientas tienen un sistema aislante que satisface los estándares de OSHA y llena los estándares aplicables de UL (Underwriters Laboratories, Inc.), de la Asociación Canadiense de Estándares (CSA) y el Código Nacional de Electricidad. Las herramientas con doble aislamiento pueden ser usadas en cualquiera de los toma corriente de 120 Volt mostrados en las Figuras B y C.

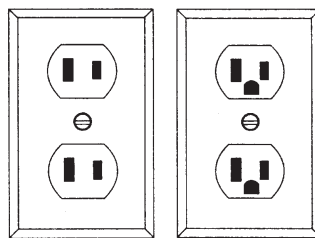


Fig. B

Fig. C

EXTENSIONES ELÉCTRICAS

Las herramientas que deben conectarse a tierra cuentan con clavijas de tres patas y requieren que las extensiones que se utilicen con ellas sean también de tres cables. Las herramientas con doble aislamiento y clavijas de dos patas pueden utilizarse indistintamente con extensiones de dos a tres cables. El calibre de la extensión depende de la distancia que exista entre la toma de la corriente y el sitio donde se utilice la herramienta. El uso de extensiones inadecuadas puede causar serias caídas en el voltaje, resultando en pérdida de potencia y posible daño a la herramienta. La tabla que aquí se ilustra sirve de guía para la adecuada selección de la extensión.

Mientras menor sea el número del calibre del cable, mayor será la capacidad del mismo. Por ejemplo, un cable calibre 14 puede transportar una corriente mayor que un cable calibre 16. Cuando use más de una extensión para lograr el largo deseado, asegúrese que cada una tenga al menos, el mínimo tamaño de cable requerido. Si está usando un cable de extensión para más de una herramienta, sume los amperes de las varias placas y use la suma para determinar el tamaño mínimo del cable de extensión.

Guías para el uso de cables de extensión

- Si está usando un cable de extensión en sitios al aire libre, asegúrese que está marcado con el sufijo "W-A" ("W" en Canadá) el cual indica que puede ser usado al aire libre.
- Asegúrese que su cable de extensión está correctamente cableado y en buenas condiciones eléctricas. Cambie siempre una extensión dañada o hágala reparar por una persona calificada antes de volver a usarla.
- Proteja su extensión eléctrica de objetos cortantes, calor excesivo o áreas mojadas.

Calibre mínimo recomendado para cables de extensiones eléctricas*

Amperios (En la placa)	Largo de cable de Extensión en (m)					
	7,6	15,2	22,8	30,4	45,7	60,9
0 - 5,0	16	16	16	14	12	12
5,1 - 8,0	16	16	14	12	10	--
8,1 - 12,0	14	14	12	10	--	--
12,1 - 15,0	12	12	10	10	--	--
15,1 - 20,0	10	10	10	--	--	--

* Basado en limitar la caída en el voltaje a 5 volts al 150% de los amperios.

LEA Y GUARDE TODAS LAS INSTRUCCIONES PARA FUTURAS REFERENCIAS.

OPERACION

¡ADVERTENCIA!

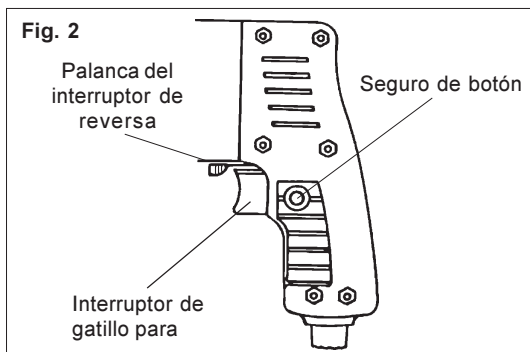
Para reducir el riesgo de lesiones, use siempre lentes de seguridad o anteojos con protectores laterales. Desconecte la herramienta antes de cambiar algún accesorio o de hacerle algún ajuste.

Acción, Paro y Control de Velocidad

1. Para accionarlo simplemente presione el gatillo.
2. Para variar la velocidad de operación, simplemente aumente o disminuya la presión sobre el gatillo. A mayor presión, mayor velocidad y viceversa.
3. Para detener la unidad, suelte el gatillo.

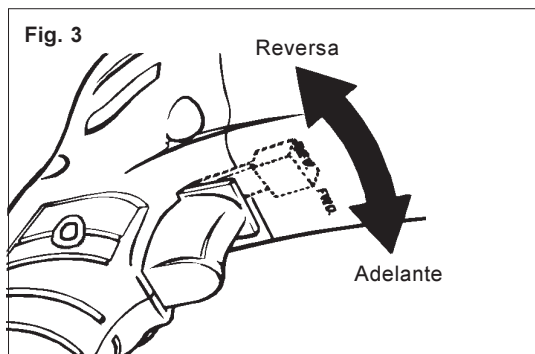
Uso del Seguro de Botón (Fig. 2)

El seguro de botón mantendrá a este en la posición de ON para un uso continuo al máximo de velocidad.



1. Para accionar el seguro de botón, presiónelo hacia adentro mientras aprieta el gatillo. Luego suelte el gatillo.
2. Para desactivar el seguro de botón, presione el gatillo y suéltelo.

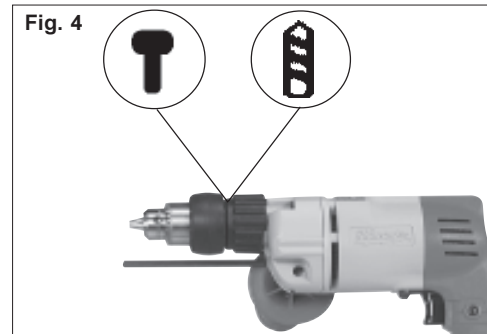
Uso del Interruptor de Accionado y Reversa. (Fig. 3)



1. Para una rotación positiva (en el sentido de las manecillas de un reloj), empuje el interruptor de accion-reversa a la derecha,
2. Para acción de reversa (en el sentido opuesto a las manecillas de un reloj), empuje el interruptor a la izquierda, hasta la posición de REV, como se ilustra. Aunque su unidad tiene un sistema de seguridad interno que evita que se accione la reversa con la unidad en operación, siempre espere a que el motor esté completamente parado para hacer el cambio a reversa.

Uso del mecanismo inversor (Fig. 4)

Los taladro-martillos están diseñados para dos modos de operación: para perforar con la acción de un martillo y para perforar solamente.



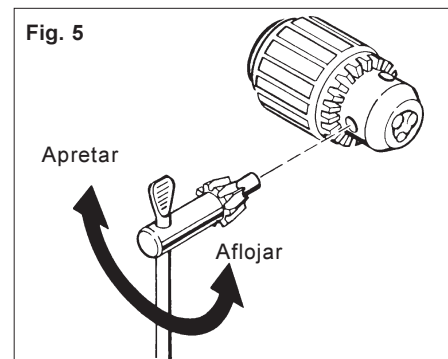
1. Para usar el modo de martillo perforadora, gire el anillo de desplazamiento rugoso hasta que aparezca el símbolo del martillo en el centro de la parte superior del collar. Aplique presión a la broca para activar el mecanismo del martillo.
2. Para usar el modo de taladro solamente, gire el anillo de desplazamiento rugoso hasta que aparezca el símbolo del taladro en el centro de la parte superior del collar.

Mango Lateral Auxiliar y Varilla Graduadora de Profundidad

Se incluye un mango lateral auxiliar para proveer el máximo de control sobre la herramienta. Puede ser atornillado en cualquiera de los dos lados de la caja de engranes de la herramienta, en donde también sirve para apretar y asegurar la varilla graduadora de profundidad, al actuar como prensa entre el seguro en el mango y la muesca en la caja de engranes. Para cambiar la profundidad, afloje el mango ligeramente, repositone la varilla y vuelva a apretar el mango.

Instalación de las Brocas Dentro de un Mandril o Broquero con Llave (Fig. 5)

Los Taladros-Martillo están equipados con mandriles industriales para apretarse con llave.



1. Abra las uñas del broquero lo suficiente para insertar la broca. Asegúrese que el zanco de la misma y las uñas del broquero están limpios, ya que si hay partículas de suciedad, estas pueden evitar que la broca quede alineada correctamente.
2. Cuando use brocas para taladros, inserte la broca dentro del broquero. Centre la broca en las uñas del broquero y levántela aproximadamente 2 mm (1/16") por sobre el fondo del broquero. Luego apriete las uñas a mano para alinear la broca.
3. Apriete con la llave cada uno de los tres agujeros del mandril, en sentido de un reloj. Apriete firmemente.

Escudo Protector del Polvo

Se incluye un escudo contra el polvo abrasivo para mantener a este fuera del mecanismo y para prevenir que se contamine la grasa. Opere siempre su taladro - martillo con el escudo protector del polvo colocado.

APLICACIONES



¡ADVERTENCIA!

Para reducir el riesgo de lesión, desconecte siempre su herramienta antes de colocar o retirar un accesorio. Use solo accesorios recomendados específicamente. Otros pueden ser peligrosos.

Taladrando en Madera, Materiales Compuestos y Plásticos

Cuando taladre en madera, materiales compuestos y plásticos, inicie lentamente, aumentando gradualmente la velocidad conforme avanza en el taladrado. Cuando use brocas convencionales, saque frecuentemente la broca de la perforación para ayudar a desahogar las virutas pegadas en los rizos de la broca. Use baja velocidad en plásticos con bajo punto de fusión.

Taladrando en Metal

Cuando taladre en metal, use brocas de acero alta velocidad o brocas sierras. Use velocidades bajas para metales duros y altas para metales suaves. Lubrique las brocas con aceite cuando taladre en acero o hierro. Use un refrigerante cuando taladre metales no ferrosos como cobre, latón o aluminio. Ponga un respaldo en el material para prevenir que este se doble o distorsione al terminar el taladrado.

Taladrando en Concreto

Cuando taladre en concreto, use, a baja velocidad, brocas de acero alta velocidad con puntas de carburo. Taladrar materiales suaves como block, requiere de muy poca presión. Materiales duros como el concreto, requiere mas presión. La forma de saber si se está perforando a un ritmo adecuado viene dada por un flujo parejo y suave de polvo. No permita que la broca gire en el agujero sin cortar, ya que así la dañará. No use agua para reducir el polvo o enfriar la broca ya que se dañará el carburo y se creará un riesgo de shock eléctrico.

MANTENIMIENTO



¡ADVERTENCIA!

Para reducir el riesgo de lesiones, desconecte siempre la herramienta antes de darle cualquier mantenimiento. Nunca desarme la herramienta ni trate de hacer modificaciones en el sistema eléctrico de la misma. Acuda siempre a un Centro de Servicio **MILWAUKEE** para TODAS las reparaciones.

Mantenimiento de las herramientas

Adopte un programa regular de mantenimiento y mantenga su herramienta en buenas condiciones. Antes de usarla, examine las condiciones generales de la misma. Inspeccione guardas, interruptores, el cable de la herramienta y el cable de extensión. Busque tornillos sueltos o flojos, defectos de alineación y dobleces en partes móviles, así como montajes inadecuados, partes rotas y cualquier otra condición que pueda afectar una operación segura. Si detecta ruidos o vibraciones anormales, apague la herramienta de inmediato y corrija el problema antes de volver a usarla. No utilice una herramienta dañada. Colóquese una etiqueta que diga "NO DEBE USARSE" hasta que sea reparada (vea "Reparaciones").

Bajo condiciones normales, no se requiere lubricación hasta que haya que cambiar los carbones. Después de 6 meses a un año, dependiendo del uso dado, envíe su herramienta al Centro de Servicio más cercano para que le hagan:

- Lubricación
- Inspección y cambio de carbones
- Inspección mecánica y limpieza (engranes, flechas, baleros, carcarza, etc.)
- Inspección eléctrica (interruptor, cable, armadura, etc.)
- Probarla para asegurar una operación mecánica y eléctrica adecuada.



¡ADVERTENCIA!

Para reducir el riesgo de lesiones, descarga eléctrica o daño a la herramienta, nunca la sumerja en líquidos ni permita que estos fluyan dentro de la misma.

Limpieza

Limpie el polvo y suciedad de las ventilas. Mantenga las empuñaduras de la herramienta limpias, secas y libres de aceite y grasa. Use sólo jabón neutro y un trapo húmedo para limpiar su herramienta ya que algunas sustancias y disolventes limpiadores pueden ocasionar daños a materiales plásticos y partes aislantes. Algunos de estos incluyen: gasolina, trementina, diluyente para barniz, diluyente para pintura, disolventes limpiadores clorados, amoníaco, y detergentes caseros que contengan amoníaco.

Reparaciones

Si su instrumento se daña, vuelva el instrumento entero al más cercano centro de reparaciones.

ACCESORIOS



¡ADVERTENCIA!

Para reducir el riesgo de lesiones, desconecte siempre su herramienta antes de colocar o retirar un accesorio. Use solo accesorios recomendados específicamente. Otros pueden ser peligrosos.

Para una lista completa de accesorios, refiérase a su catálogo Electric Tool o visite nuestro sitio en Internet: www.milwaukeetool.com. Para obtener un catálogo, contacte su distribuidor local o uno de los centros.

GARANTÍA LIMITADA DE CINCO AÑOS

Todas las herramientas se prueban antes de abandonar la fábrica y se garantiza que no presentan defectos ni en el material ni de mano de obra. En el plazo de cinco (5) años a partir de la fecha de compra, se reparará o reemplazará (a discreción de Milwaukee Electric Tool Corporation), sin cargo alguno, cualquier herramienta (cargadores de baterías inclusive) cuyo examen determine que presenta defectos de material o de mano de obra. Devuelva la herramienta, con gastos de envío prepagados y asegurada, y una copia de la factura de compra, u otro tipo de comprobante de compra, a una sucursal de reparaciones/ventas de la fábrica o a un centro de reparaciones autorizado por Milwaukee Electric Tool Corporation. Esta garantía no cubre los daños ocasionados por reparaciones o intentos de reparación por parte de personal no autorizado por Milwaukee Electric Tool Corporation, abuso, desgaste y deterioro normal, falta de mantenimiento o accidentes.

Las baterías, linternas y radios tienen una garantía de un (1) año a partir de la fecha de compra.

LOS DERECHOS A REPARACIÓN Y REEMPLAZO DESCRITOS EN EL PRESENTE DOCUMENTO SON EXCLUSIVOS. MILWAUKEE ELECTRIC TOOL CORPORATION NO SERÁ EN NINGÚN CASO RESPONSABLE DE DAÑOS INCIDENTALES, ESPECIALES O CONSECUENTES, INCLUYENDO LA PÉRDIDA DE GANANCIAS.

ESTA GARANTÍA ES EXCLUSIVA Y SUSTITUYE A TODA OTRA GARANTÍA, O CONDICIONES, ESCRITAS U ORALES, EXPRESAS O IMPLÍCITAS DE COMERCIALIZACIÓN O IDONEIDAD PARA UN USO O FIN DETERMINADO.

Esta garantía le proporciona derechos legales específicos. Es posible que usted tenga otros derechos que varían de estado a estado y de provincia a provincia. En aquellos estados que no permiten la exclusión de garantías implícitas o la limitación de daños incidentales o consecuentes, las limitaciones anteriores pueden que no apliquen. Esta garantía es válida solamente en los Estados Unidos, Canadá y México.

UNITED STATES

prides itself in producing a premium quality product that is **NOTHING BUT HEAVY DUTY®**.

Your satisfaction with our products is very important to us!

If you encounter any problems with the operation of this tool, or you would like to locate the Service/Sales Support Branch or nearest you, please call...

(1.800.729.3878)

NATIONWIDE TOLL FREE

Monday-Friday • 8:00 AM - 4:30 PM • Central Time
or visit our website at

www.milwaukeetool.com

For service information, use the 'Service Center Search' icon found in the 'Parts & Service' section.

Additionally, we have a nationwide network of *authorized* Distributors ready to assist you with your tool and accessory needs. Check your "Yellow Pages" phone directory under "Tools-Electric" for the names & addresses of those nearest you or see the 'Where To Buy' section of our website.

Corporate After Sales Service - Technical Support
Brookfield, Wisconsin USA

•Technical Questions •Service/Repair Questions •Warranty

1-800-SAWDUST

(1.800.729.3878)

fax:1.800.638.9582

Monday-Friday • 8:00 AM - 4:30 PM • Central Time

CANADA

est fier de proposer un produit de première qualité **NOTHING BUT HEAVY DUTY®**. Votre satisfaction est ce qui compte le plus!

En cas de problèmes d'utilisation de l'outil ou pour localiser le centre de service/ventes ou le plus proche, appelez le...

416.439.4181

fax: 416.439.6210

Milwaukee Electric Tool (Canada) Ltd

755 Progress Avenue

Scarborough, Ontario M1H 2W7

Notre réseau national de distributeurs *agrés* se tient à votre disposition pour fournir l'aide technique, l'outillage et les accessoires nécessaires. Composez le 416.439.4181 pour obtenir les noms et adresses des revendeurs les plus proches ou bien consultez la section «Où acheter» sur notre site web à l'adresse

MEXICO

Milwaukee Electric Tool, S.A. de C.V.

Bldv. Abraham Lincoln no. 13

Colonia Los Reyes Zona Industrial

Tlalnepantla, Edo. México C.P. 54073

Tel. (55) 5565-1414 Fax: (55) 5565-6874

Adicionalmente, tenemos una red nacional de distribuidores autorizados listos para ayudarle con su herramienta y sus accesorios. Por favor, llame al (55) 5565-1414 para obtener los nombres y direcciones de los más cercanos a usted, o consulte la sección 'Where to buy' (Dónde comprar) de nuestro sitio web en

MILWAUKEE ELECTRIC TOOL CORPORATION